

PLEASE CHECK WWW.MOLEX.COM FOR LATEST PART INFORMATION

Part Number: **0191930238**
Status: **Active**
Description: VersaKrimp™ Ring Tongue Terminal for 6 AWG Wire

Documents:

[Drawing \(PDF\)](#) [RoHS Certificate of Compliance \(PDF\)](#)

Agency Certification

CSA LR18689
 UL E32244

General

Product Family Ring and Spade Terminals
 Series [19193](#)
 Crimp Quality Equipment Yes
 Mil-Spec N/A
 Product Name VersaKrimp™
 Type Ring

Physical

Barrel Type Closed - Brazed
 Insulation None
 Material - Plating Mating Tin
 Packaging Type Bag
 Plating min: Mating (µin) 100
 Plating min: Mating (µm) 2.5
 Plating min: Termination (µin) 100
 Plating min: Termination (µm) 2.5
 Stud Size 3/4" (M18)
 Termination Interface: Style Crimp or Compression
 Wire Size AWG 6

Material Info

Old Part Number E-359-34

Reference - Drawing Numbers

Sales Drawing SD-19193-031



image - Reference only

Series

EU RoHS

ELV and RoHS Compliant
REACH SVHC Contains SVHC: No
Halogen-Free Status
Not Reviewed

China RoHS



Need more information on product environmental compliance?

Email productcompliance@molex.com
 For a multiple part number RoHS Certificate of Compliance, [click here](#)

Please visit the [Contact Us](#) section for any non-product compliance questions.

Search Parts in this Series

[19193Series](#)

Application Tooling | FAQ

Tooling specifications and manuals are found by selecting the products below. Crimp Height Specifications are then contained in the Application Tooling Specification document.

Global

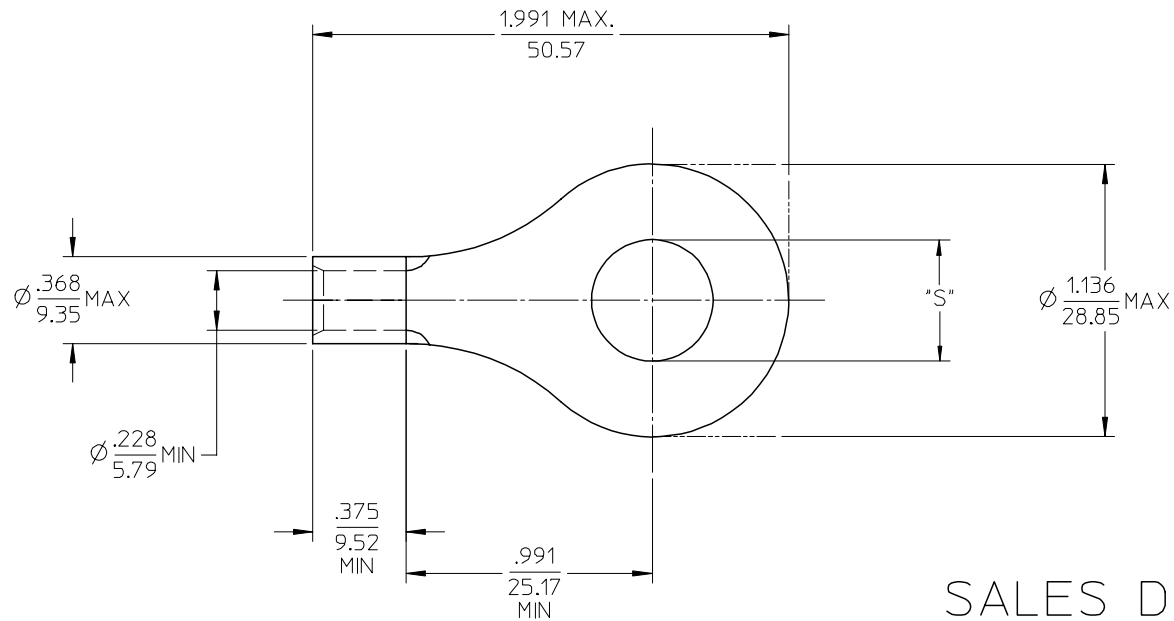
Description	Product #
Manual Putt Pump Hydraulic System, Die set required	0192860117
Die Set (large) for the HHLS Hydraulic Crimper	0192900004
Hand Crimp Tool	0640013900
Crimp Head for the AT-200™ Pneumatic Hand Tool	0640074300
Manual tool for Crimping non-	0192940008

insulated 8AWG thru
4/0 Terminals
Putt Pump Dieless 0192860065
Head System

This document was generated on 03/24/2010

PLEASE CHECK WWW.MOLEX.COM FOR LATEST PART INFORMATION

MATERIAL NO. LOOSE PIECE	ENG. NO.	STUD SIZE	±.003 "S"	STOCK THICKNESS
191930237	E-359-14	1/4	.265	.050/(1.27) (B)
191930240	E-359-56	5/16	.328	
191930239	E-359-38	3/8	.390	
191930242	E-359-76	7/16	.453	
191930236	E-359-12	1/2	.515	
191930241	E-359-58	5/8	.656	
191930238	E-359-34	3/4	.781	



SALES DRAWING

- NOTE(S):
1. MATERIAL: COPPER
 2. PLATING: ELECTROPLATE TIN
 3. ALL DIMENSIONS IN INCHES/(MM).
 4. WIRE SIZE: 6 AWG
16 MM²
 5. PART IS ROHS COMPLIANT.

(B)

REVISED MATL THKNS EC NO: ETC2007-0003 DRW: NEHLE 2006/07/17 CHKD: MACNEIL 2006/07/19 APPR: ROERSS 2006/07/26	QUALITY SYMBOLS	GENERAL TOLERANCES (UNLESS SPECIFIED)	DIMENSION STYLE IN/MM	SCALE 2:1	DESIGN UNITS INCH	THIRD ANGLE PROJECTION
	▽=0	4 PLACES ± --- ± ---	DRAWN BY DLM	DATE 03/07/28	TITLE RING TONGUE TERMINAL VERSAKRIMP SERIES 6 AWG	
	▽=0	3 PLACES ± --- ± .005	CHECKED BY HEB	DATE 03/07/28	MOLEX INCORPORATED	
	▽=0	2 PLACES ± 0.13 ± .01	APPROVED BY RWD	DATE 03/07/28	MATERIAL NO. SEE CHART	DOCUMENT NO. SD-19193-031
REV	DESCRIPTION	1 PLACE ± 0.25 ± ---	ANGULAR ±1/2°		THIS DRAWING CONTAINS INFORMATION THAT IS PROPRIETARY TO MOLEX INCORPORATED AND SHOULD NOT BE USED WITHOUT WRITTEN PERMISSION	
DRAFT WHERE APPLICABLE MUST REMAIN WITHIN DIMENSIONS						